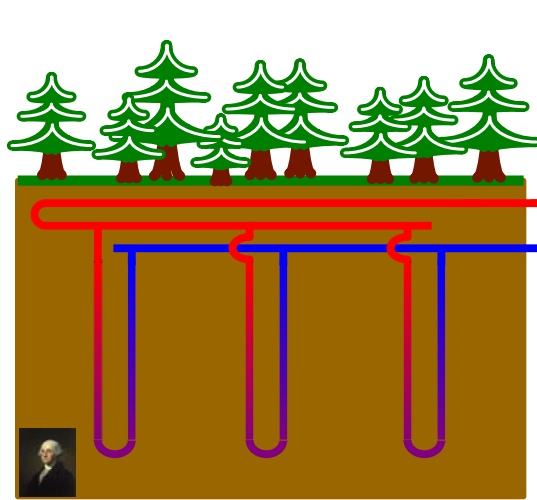
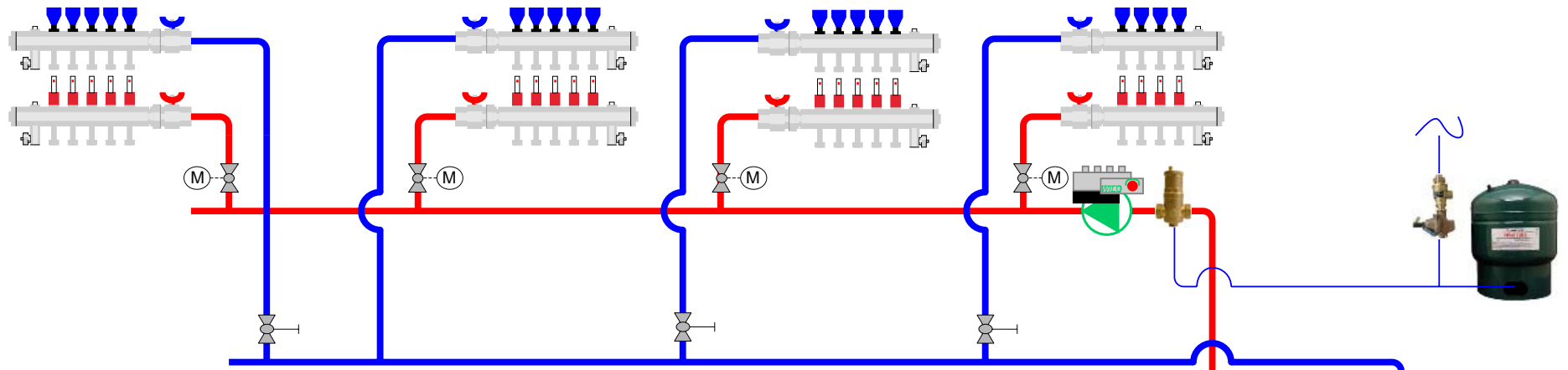
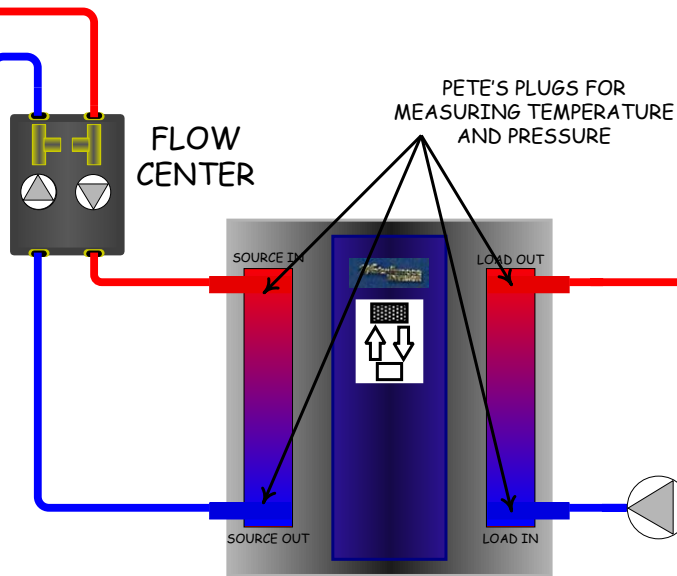


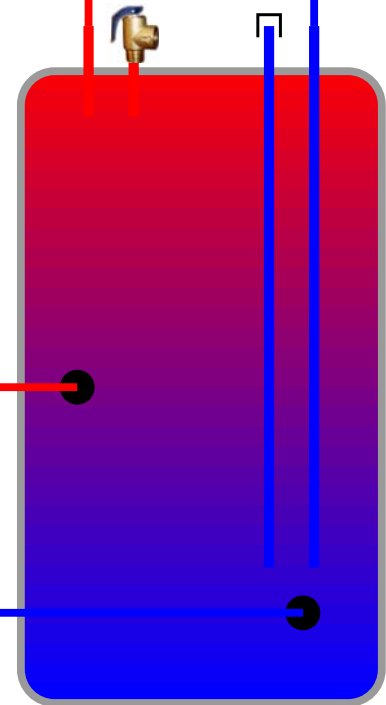
LOW TEMPERATURE DISTRIBUTION ≤ 120 DEG F



CLOSED LOOP VERTICAL GROUND HEAT EXCHANGER



WATERFURNACE WATER TO WATER HEAT PUMP



BUFFER TANK



JOB: BASIC WATER TO WATER EXAMPLE

DATE: APRIL 2010

*This is a concept drawing only. Contractor must verify the design and install all equipment according to manufacturers instructions*