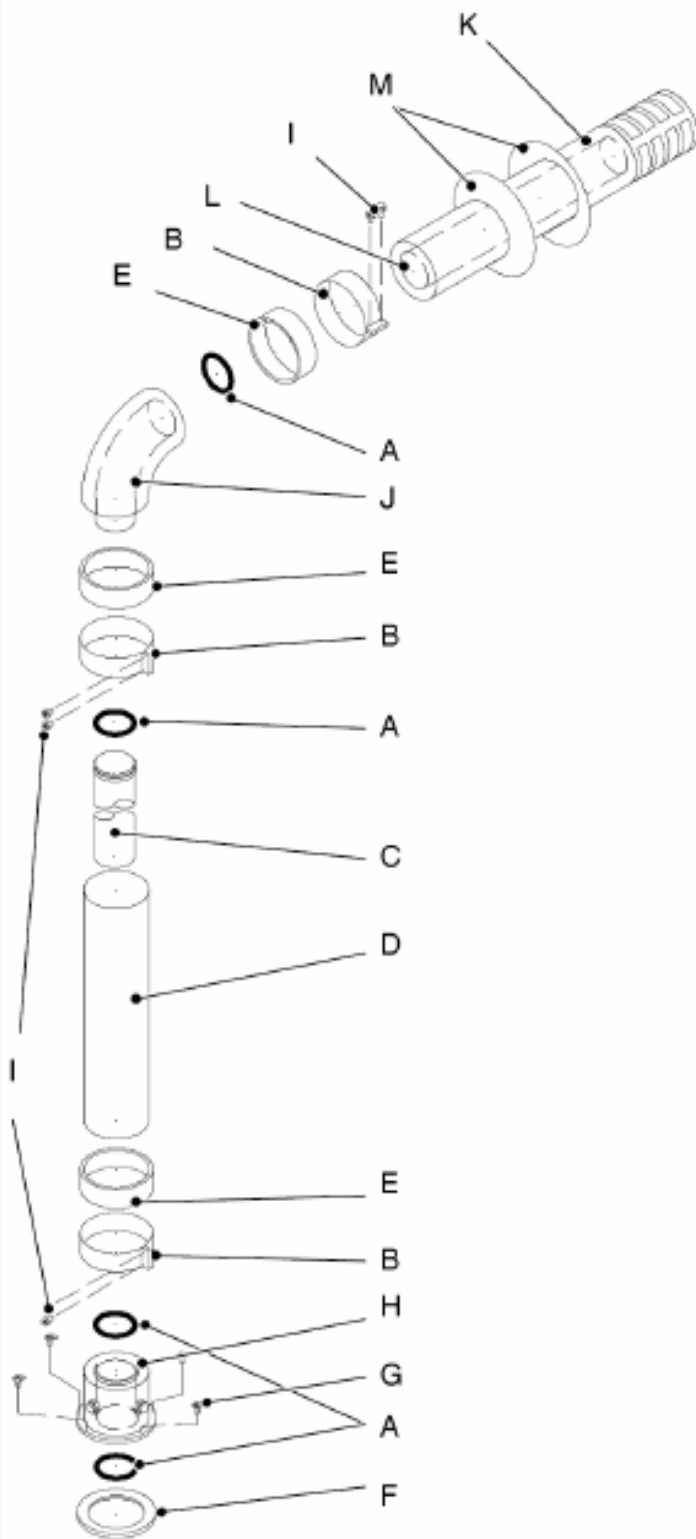


Concentric Riser Vent Kit - RI VC RIS - 9990322



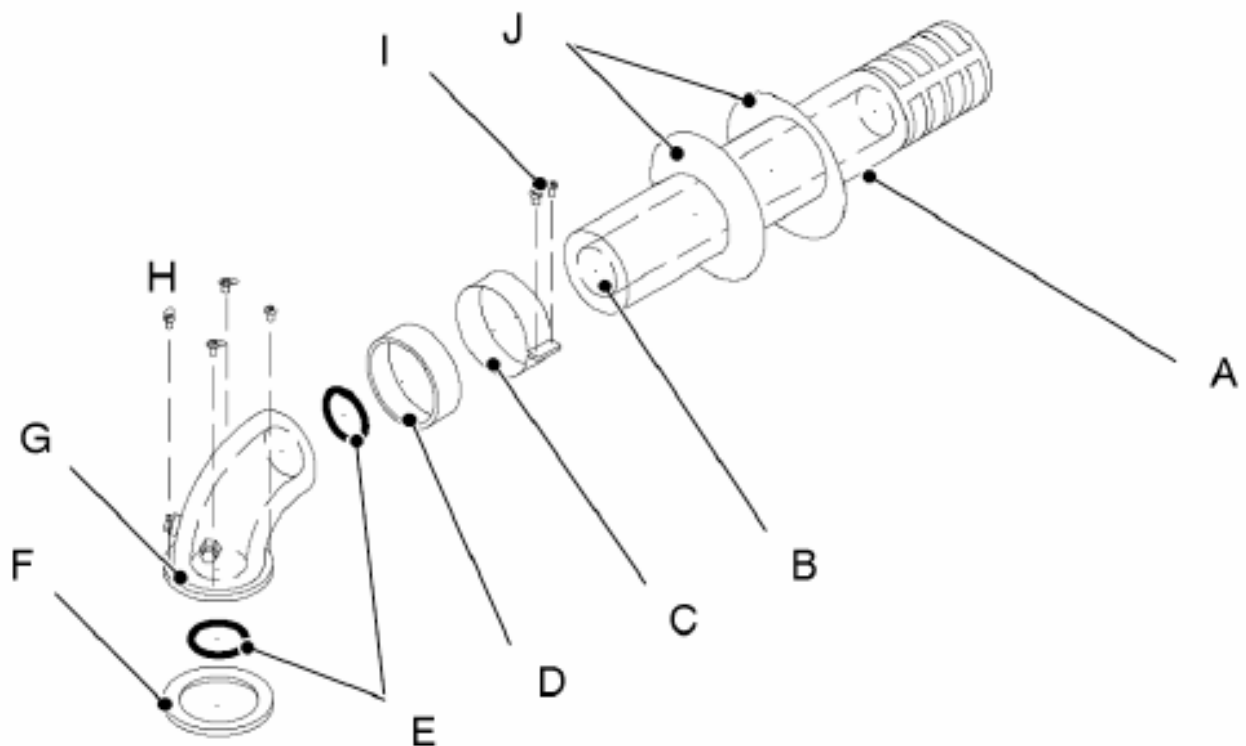
Components included in kit:

- A. EXHAUST GASKET (4)
- B. UNION CLAMP (3)
- C. RISE EXHAUST PIPE (18")
- D. RISE INTAKE PIPE (20")
- E. UNION GASKET (3)
- F. FLANGE GASKET (1)
- G. FLANGE SCREWS (4)
- H. BOILER COLLAR (1)
- I. UNION CLAMP SCREWS (6)
- J. 90 DEG ELBOW (1)
- K. INTAKE TERMINATION (38")
- L. EXHAUST TERMINATION (40")
- M. WALL GASKET (2)

Notes:

Length 1' to 32.8' equivalent length
90 Elbow = 5.4' equivalent length
45 Elbow = 3' equivalent length

Standard Concentric Vent Kit - RI VC - 9990148



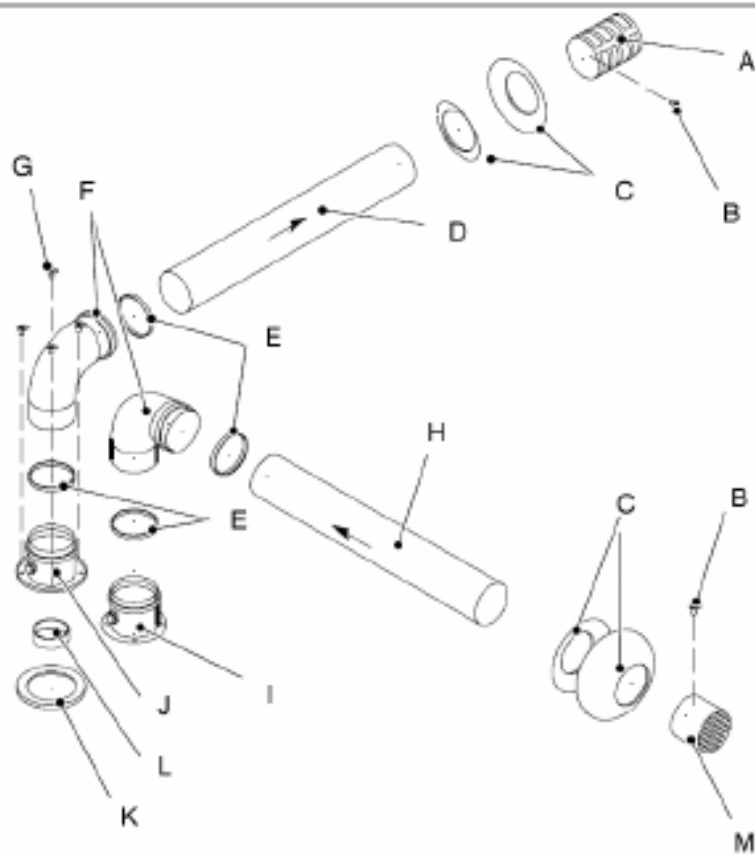
Components included in kit:

- A. INTAKE TERMINATION (38")
- B. EXHAUST TERMINATION (40")
- C. UNION CLAMP (1)
- D. UNION GASKET (1)
- E. EXHAUST GASKET (2)
- F. FLANGE GASKET (1)
- G. 90 DEG ELBOW (W/ FLANGE) (1)
- H. FLANGE SCREWS (4)
- I. UNION CLAMP SCREWS (6)
- J. WALL GASKET (2)

Notes:

Length 1' to 32.8' equivalent length
90 Elbow = 5.4' equivalent length
45 Elbow = 3' equivalent length

Separate Vent Kit - RI VS - 8990016



Components included in kit:

- A. EXHAUST TERMINATION (1)
- B. TERMINATION SCREW (2)
- C. WALL GASKET (4)
- D. EXHAUST PIPE (39")
- E. EXHAUST / INTAKE GASKET (4)
- F. 90 DEG ELBOW MALE X FEM. (2)
- G. FLANGE SCREWS (4)
- H. INTAKE PIPE (1)
- I. INTAKE COLLAR (1)
- J. EXHAUST COLLAR (1)
- K. FLANGE GASKET (1)
- L. EXHAUST RESTRICTOR
(SUPPLIED WITH BOILER)
- M. INTAKE TERMINATION (1)

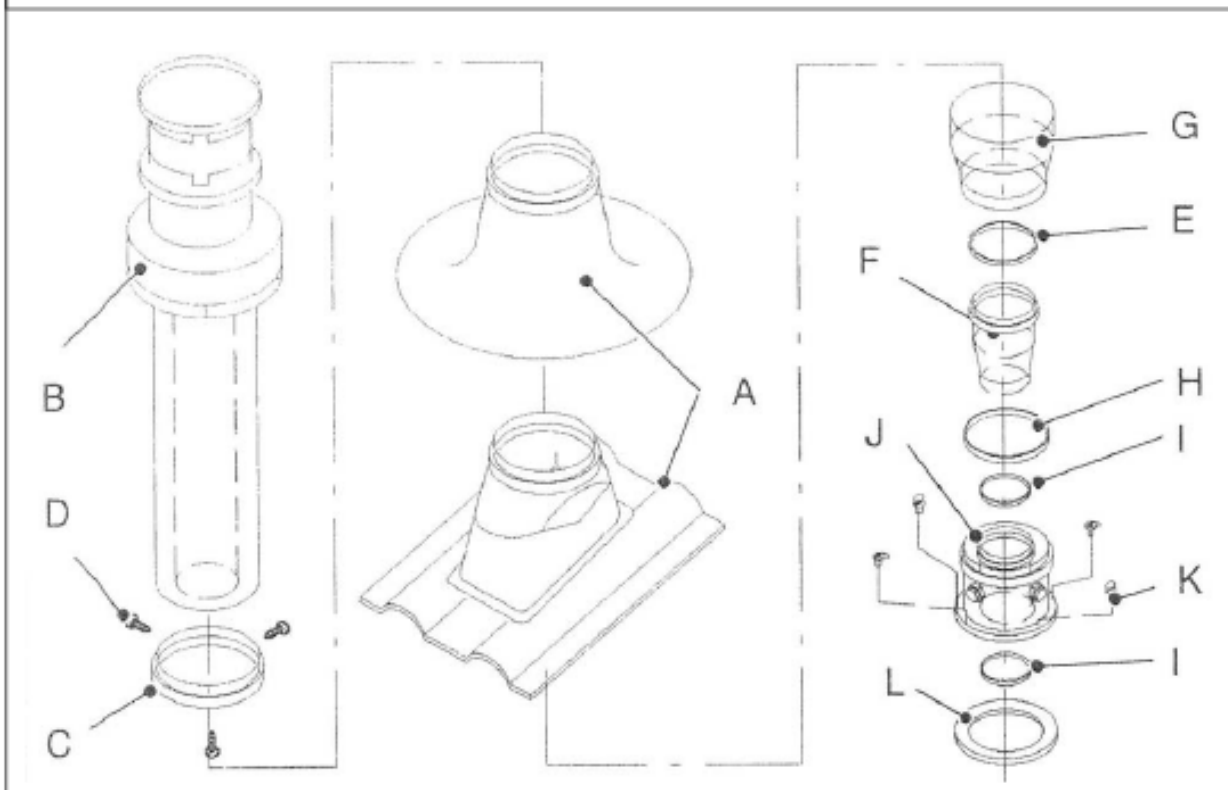
Notes:

Maximum length 131' equivalent length

90 Elbow = 5.4' equivalent length

45 Elbow = 3' equivalent length

Vertical Roof Vent Kit - RI RV - 9990251



Components included in kit:

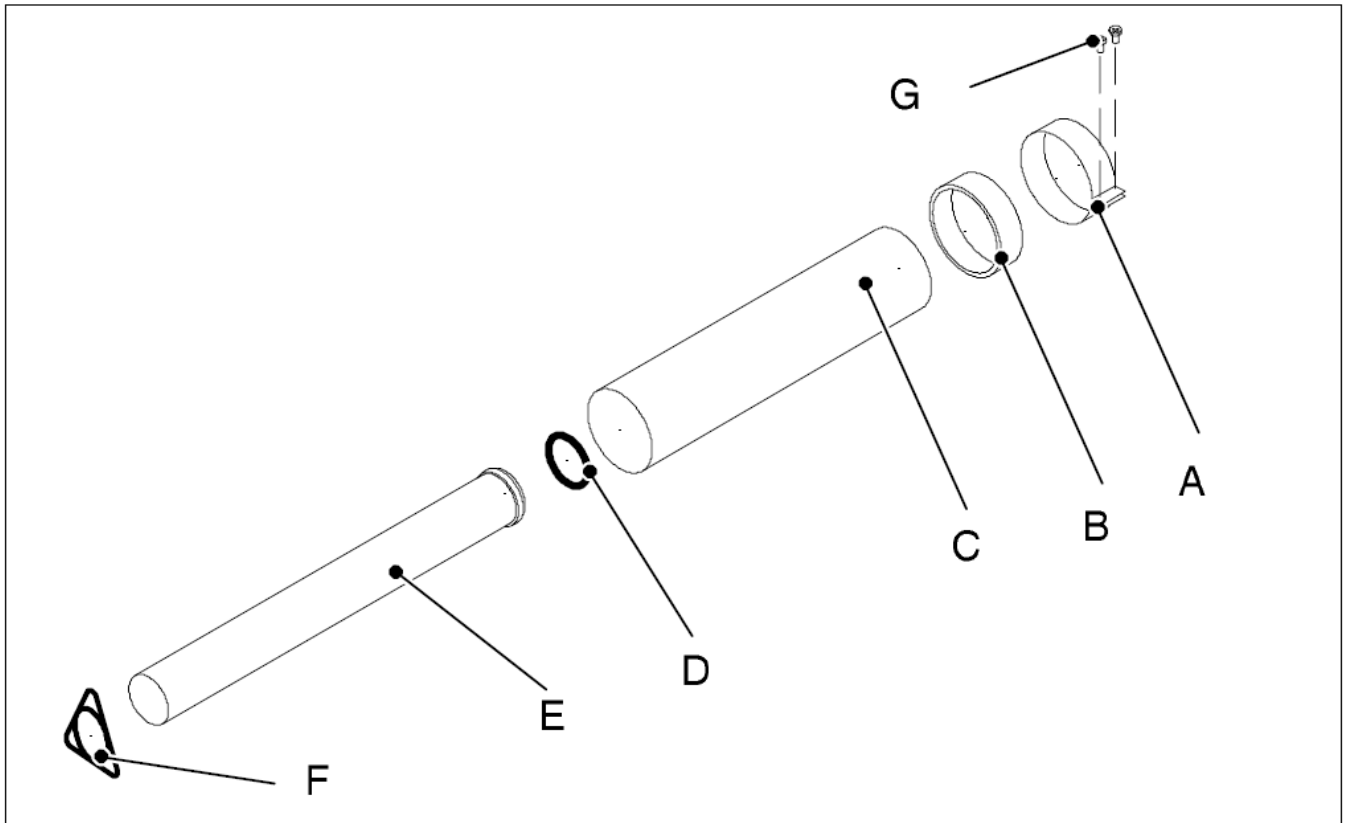
- A. ROOF FLASHING - FLAT / PITCHED* (1)
- B. EXTERIOR TERMINATION (1)
- C. TERMINATION FLANGE (1)
- D. TERMINATION MOUNTING SCREW (3)
- E. EXHAUST ADAPTER GASKET (1)
- F. EXHAUST ADAPTER (1)
- G. INTAKE ADAPTER (1)
- H. INTAKE GASKET (1)
- I. EXHAUST GASKET (2)
- J. BOILER COLLAR (1)
- K. BOILER COLLAR MOUNTING SCREWS (4)
- L. BOILER FLANGE GASKET (1)

* Must be purchased separately. Part numbers can

Notes:

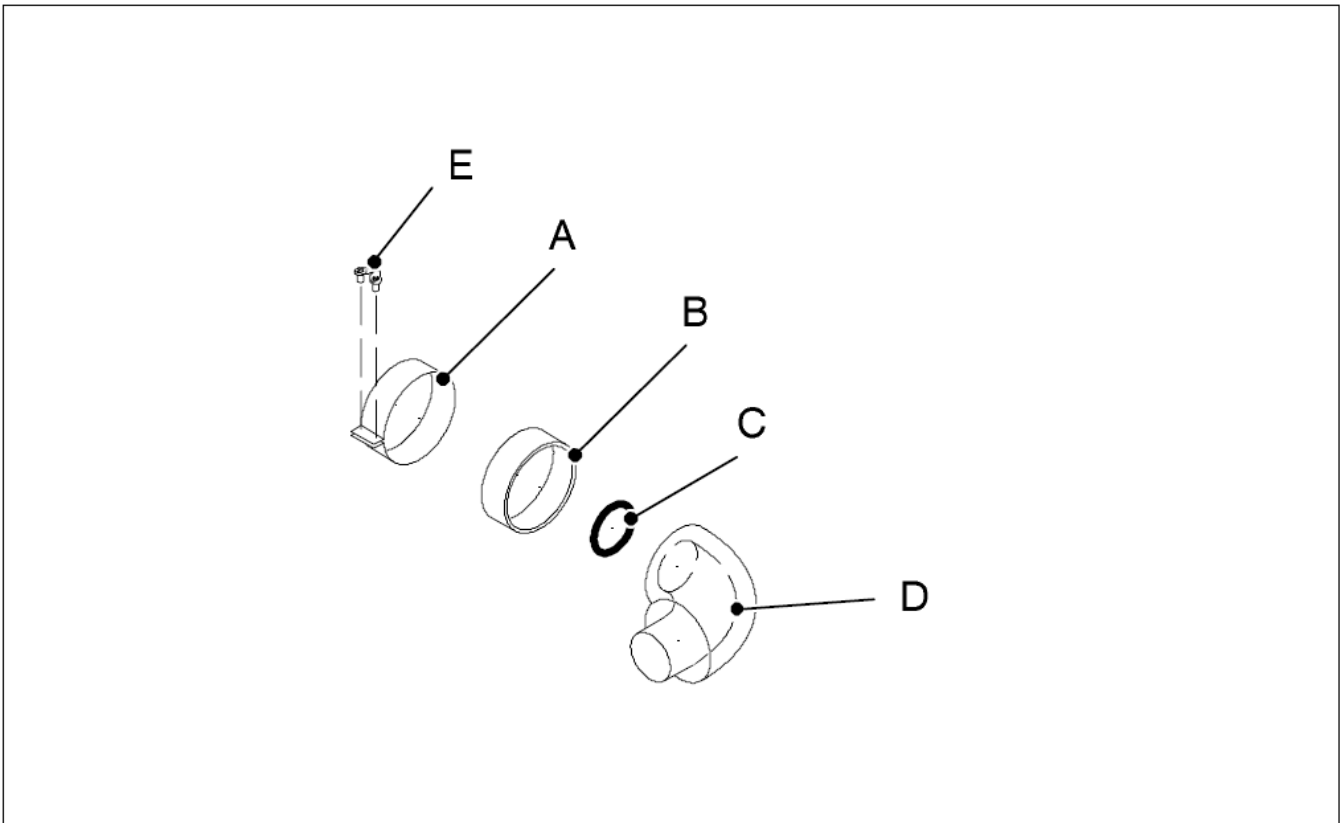
- Maximum height 27.8' equivalent length
- 90 Elbow = 3.3' equivalent length
- 45 Elbow = 1.6' equivalent length
- Maximum 4 elbows (45 or 90)
- When equivalent height is greater than 9.8' a condensate collector and siphon must be used (see accessories page for the part numbers)

39" Straight Pipe (109990149)



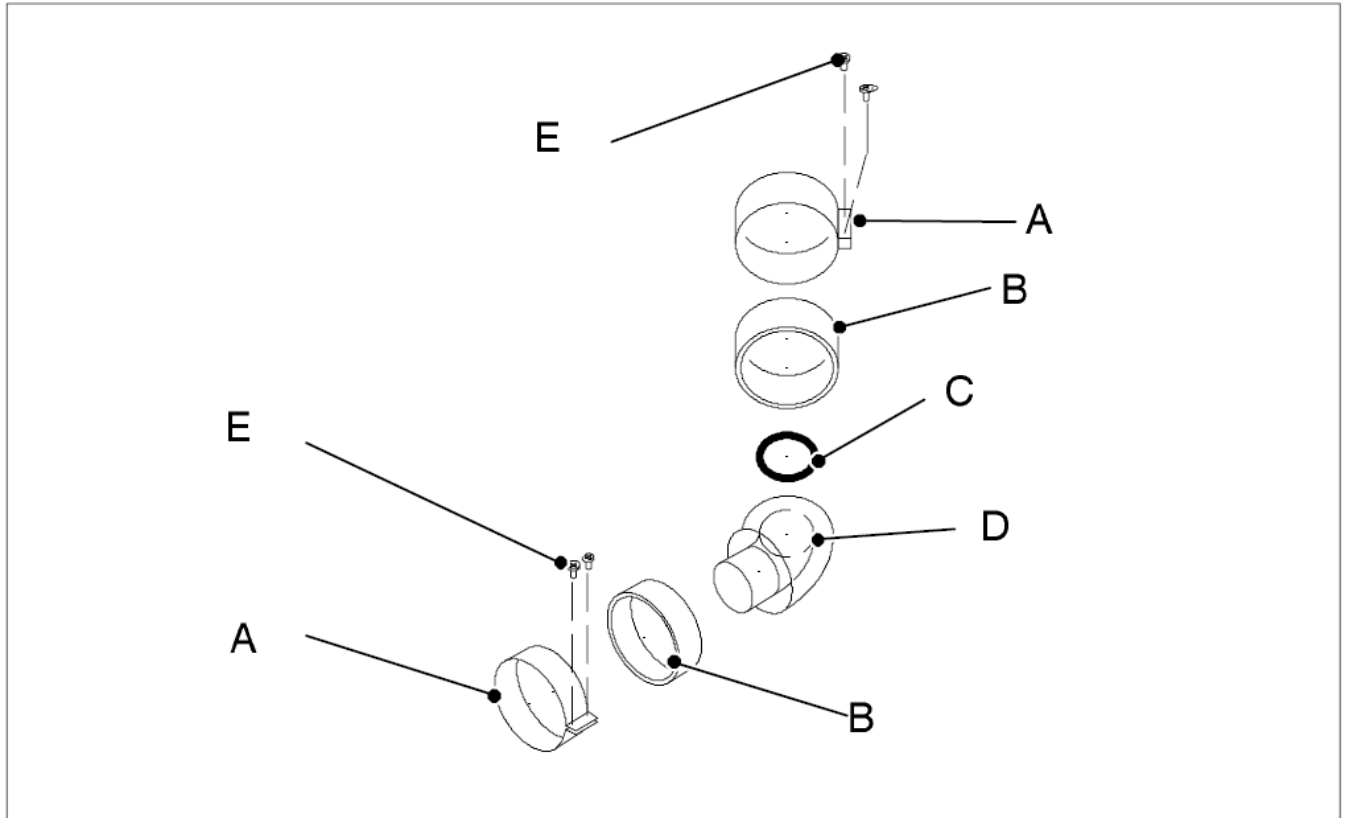
- A. Intake Collar
- B. Intake gasket
- C. Intake Pipe
- D. Exhaust Gasket
- E. Exhaust Pipe
- F. Centering brace for exhaust pipe
- G. Screws for intake clamp (2)

90 degree elbow (109990152)



- A. Intake collar
- B. Intake gasket
- C. Exhaust gasket
- D. 90 deg elbow (exhaust and intake)
- E. Screws for intake clamp (2)

45 degree elbow (109990153)



- A. Intake collar (2)
- B. Intake gasket (2)
- C. Exhaust gasket
- D. 45 deg elbow (exhaust and intake)
- E. Screws for intake clamp (4)