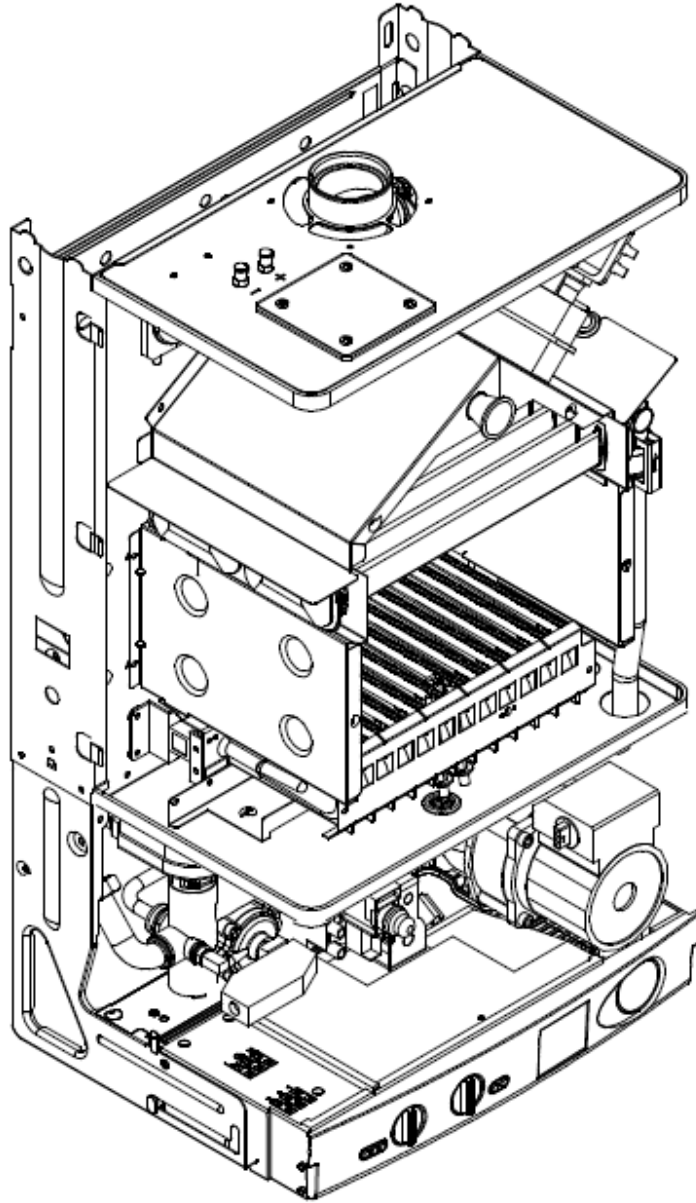


Savio

Non - Condensing Gas Wall hung boiler Parts List



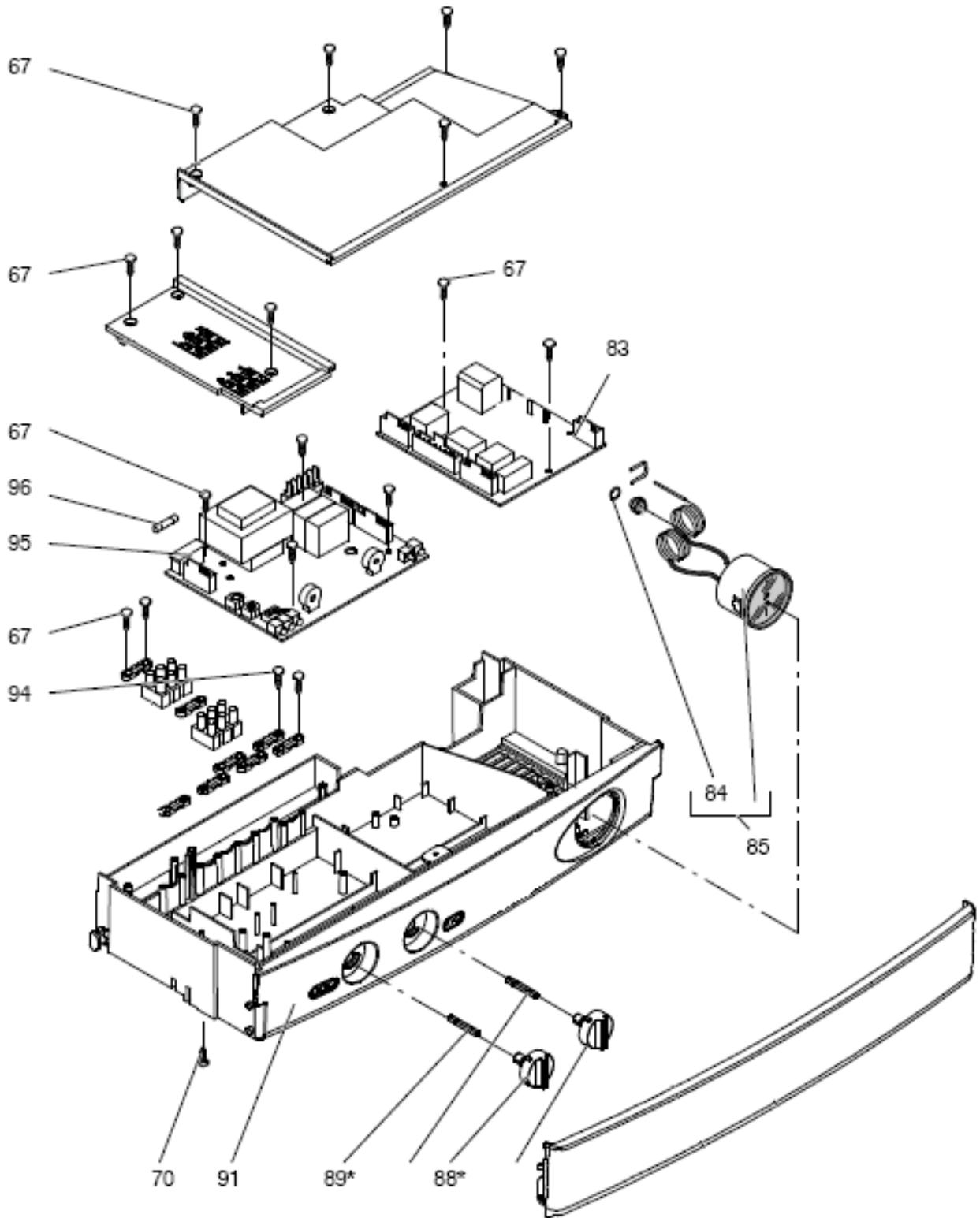
Boyertown Furnace Co.
PO Box 100
Boyertown, PA 19512
610-369-1450
www.boyertownfurnace.com

4-01-09

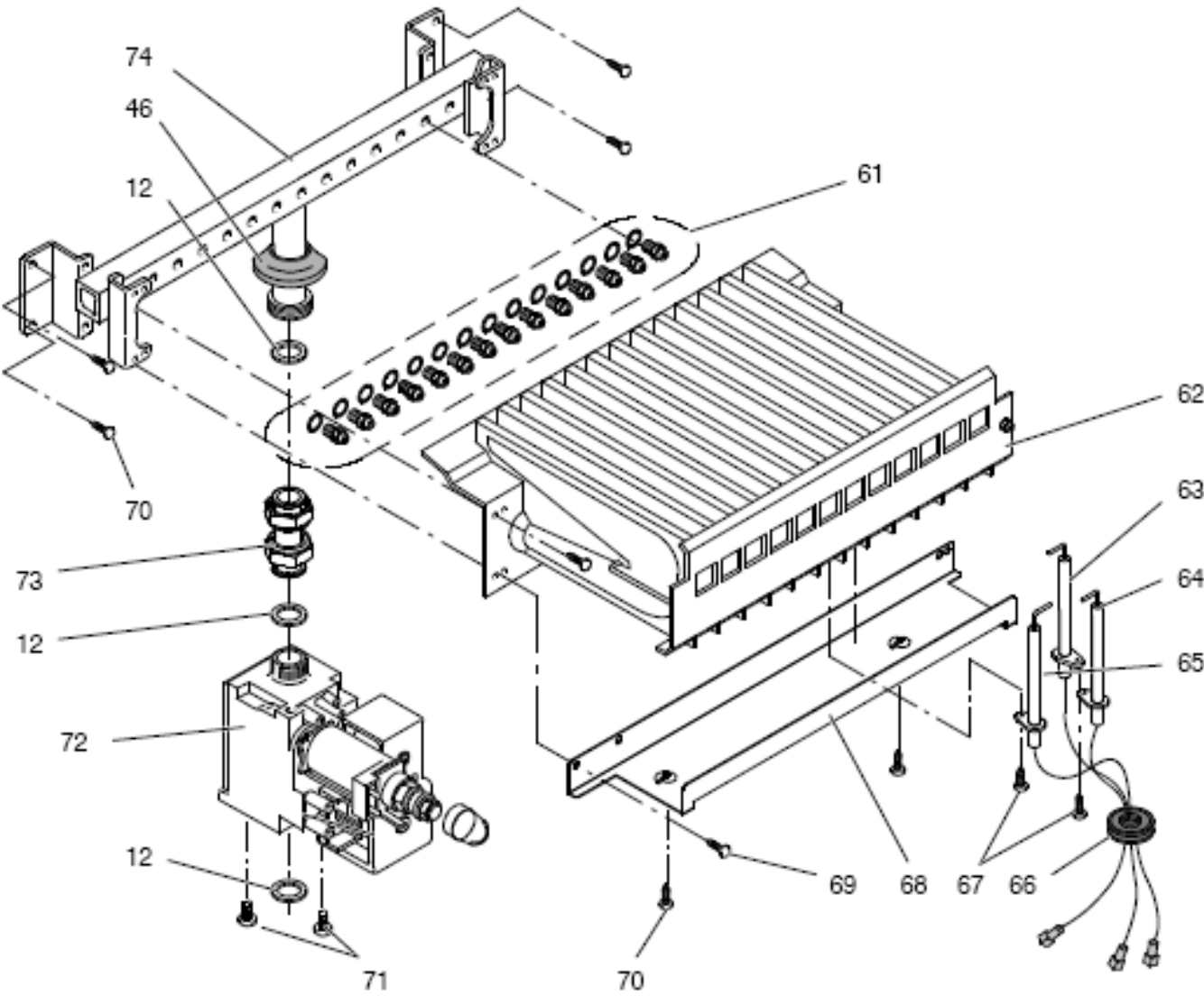
Key Number	Part Number	Description
1	211085	Pressure Relief Valve
4	211025	BI1001 117 NTC Temperature Probe
8		BI 1212 112 O-ring gasket 17.04 X 4.00
9		M5x25 Socket Cap Screw
11		BI1271 502 Return Flow Group Kit Combi
12	211015	BI1001 108 Flat Gasket 3/4"
13		6.4 mm Lock Washer
14		M6 X 8 Screw
15	211010	BI1001 106 Flat Gasket 1/2"
18	211165	BI1271 501 Flow Switch and Filter Kit
19	211160	BI1271 101 DHW Flow Switch
20	211000	BI1001 102 Exchanger Domestic Water
21	211020	BI1001 115 O-Ring Bypass Pipe 1.78 x 12.42
22		BI1271 100 Bypass Pipe Combi
23	211220	BI1001 129 O-Ring 18.64 x 3.53
24		BI1001 111 Bypass Pipe Fixing Fork
25	211030	BI1001 129 O-Ring 1.78 x 14
26	211090	BI1201 100 3-Way Valve Motor
27		BI1101 101 3-Way Motor Fixing Spring
28	211070	BI1141 501 3 Way Valve Rebuild Kit
29	211040	BI1011 107 O-Ring 2.62 x 23.47
30		BI1011 117 O-Ring 2.7 x 13.6
33	211035	BI1011 103 Pressure Switch Membrane
34		BI1011 111 Central Heating Pressure Switch Disc
35		BI1011 110 Central Heating Pressure Switch Spring
36		Screw M4 X 12mm
37	211045	BI1011 502 Micro Switch Guide Bushing
38	211050	BI1011 505 Micro Switch
39		BI1011 105 Microswitch Fixing Clip
41		BI1011 501 By-Pass Rebuild Kit
42		BI1182 100 Overheat Thermostat Fixing Clip
43	211135	BI1242 109 Overheat Thermostat
44	211130	BI1242 108 Main Exchanger
45		BI1182 106 Main Heat Exchanger Connection Clip
46		BI1002 113 Grommet
47		BI1105 108 Probe Holder
48		BI1202 103 Inlet Pipe for Main Heat Exchanger
51		M6 X 10 Screw
52	211140	BI1242 110 WSC Pump
56		BI1172 111 Air Purge Valve
57		BI1172 110 Circulator Connection Fork
58		BI1172 109 Expansion Vessel Connection Pipe Combi
59		BI1202 104 Outlet Pipe for Main Heat Exchanger Combi
60	211075	BI1182 105 Expansion Tank
61	211120	BI1182 105 Natural Gas Conversion Kit
61	211125	BI1203 503 Propane Conversion Kit
62	211095	BI1203 103 28KW 14 Rail Burner
63	211115	BI1203 107 Detection Electrode
64	211110	BI1203 106 Right Ignition Electrode

Key Number	Part Number	Description
65	211105	BI1203 105 Left Ignition Electrode
66		BI1002 115 Grommet
67		3.5 X 9.5 Pan Head Tapping Screw
68		BI1193 106 Air Deflector
69		M4 X 8 Pan Head Screw
70		4.2 X 9.5 Pan Head Tapping Screw
71		M4 X 8 Machine Screw
72	211100	BI1203 104 Honeywell Gas Valve
73		BI1183 101 Gas Pipe to Manifold
74		BI1183 104 Gas Manifold with LPG Injectors
74		BI1183 103 Gas Manifold with Nat. Injectors
82	211210	BI1555 109 Ignition Card
83	211205	BI1555 108 Fan and APS Device
84		BI1475 119 O-Ring 1.78 X 6.75
85	211195	BI1555 100 Temperature Pressure Gauge
88		BI1515 101 Knob
89		BI1475 110 Shaft
91		BI1525 100 Control Panel Box
94		3.5 X 16 Screw
95	211200	BI1555 107 Control PCB
96	211215	BI1555 110 Fuse 4.0A
113		BI1346 500 Side Jacket Panel
114		4.2 X 13mm Self Tapping Screw
115		BI1346 501 Front Jacket Panel
116		BI1206 118 Window Glass with Rubber Frame
117		4.8 X 13 Self Tapping Screw
119		BI1336 100 Sealed Chamber Lid
120		BI1336 500 Sealed Chamber Gasket Kit
122		BI1326 100 Combustion Chamber Side Panel (Right or Left)
123		BI1325 108 Combustion Chamber Rear Panel
124		BI1366 105 Flue Hood
125		BI1016 107 Pressure Switch Tube
126	211180	BI1386 119 Air Pressure Switch
127		BI1036 101 Air Pressure Switch Test Port
128		BI1336 108 Fan Flue Elbow
130		M4 X 16 Screw
131		BI1016 101 Air Intake Gasket
132		BI1016 104 Exhaust Outlet Gasket
133	211185	BI1499.0306 Flue Restrictor Kit
134		BI1256 101 Venturi Device Tube
135		BI1366 100 Venturi
136		BI1366 101 Fan Outlet Gasket
137	211175	BI1386 118 Fan
141		BI1366 109 Combustion Chamber Front Panel
143		BI1202 105 Flat Gasket 3/8"
144		BI1171 100 Return Group Kit Heat Only
145		BI1171 101 Flow Group Kit Heat Only
146		BI1171 102 Bypass Pipe Heat Only
147		BI1232 100 Main Exchanger Outlet Pipe Heat Only
148		BI1232 101 Expansion Vessel Connection Pipe Heat Only

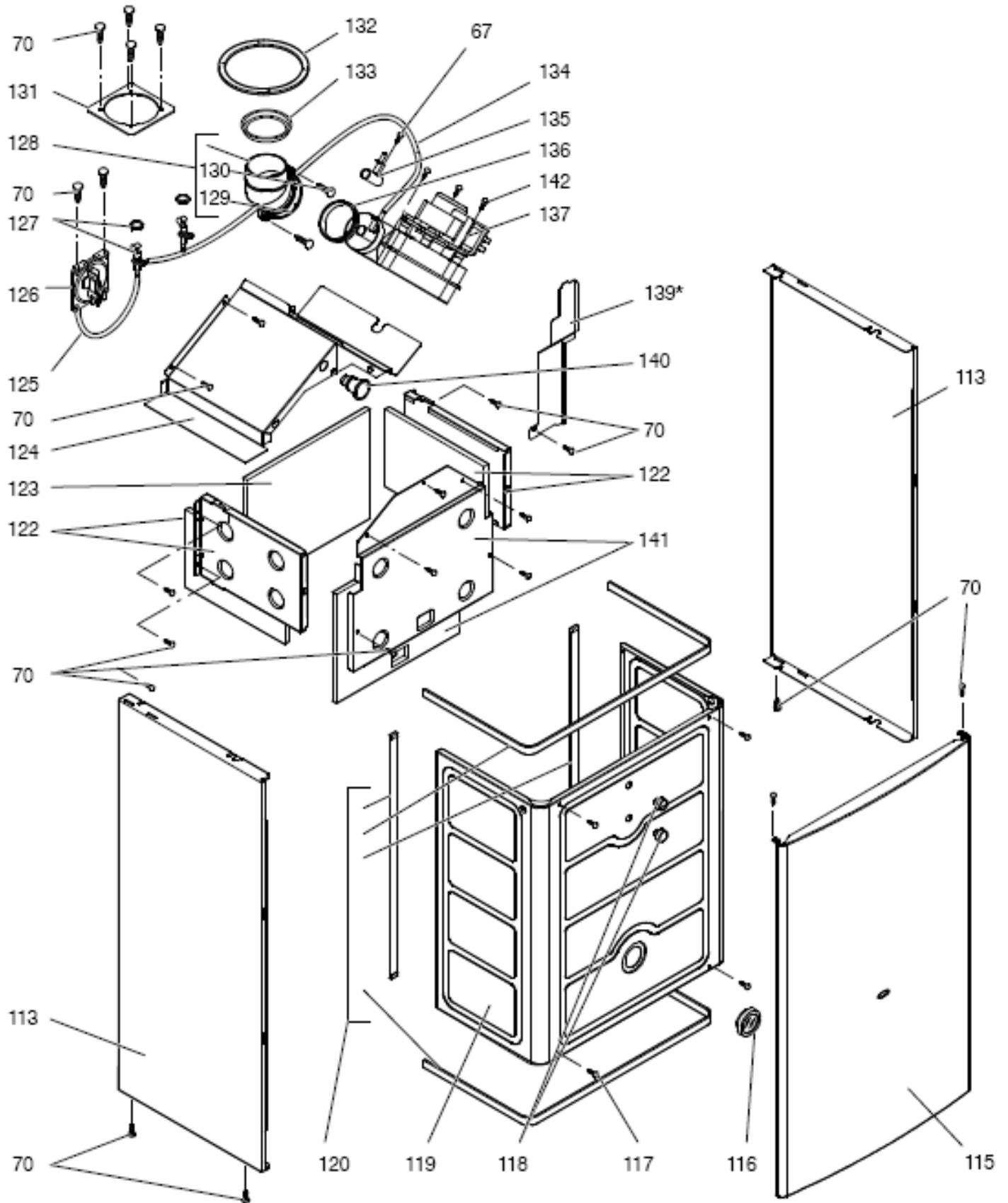
Control Panel



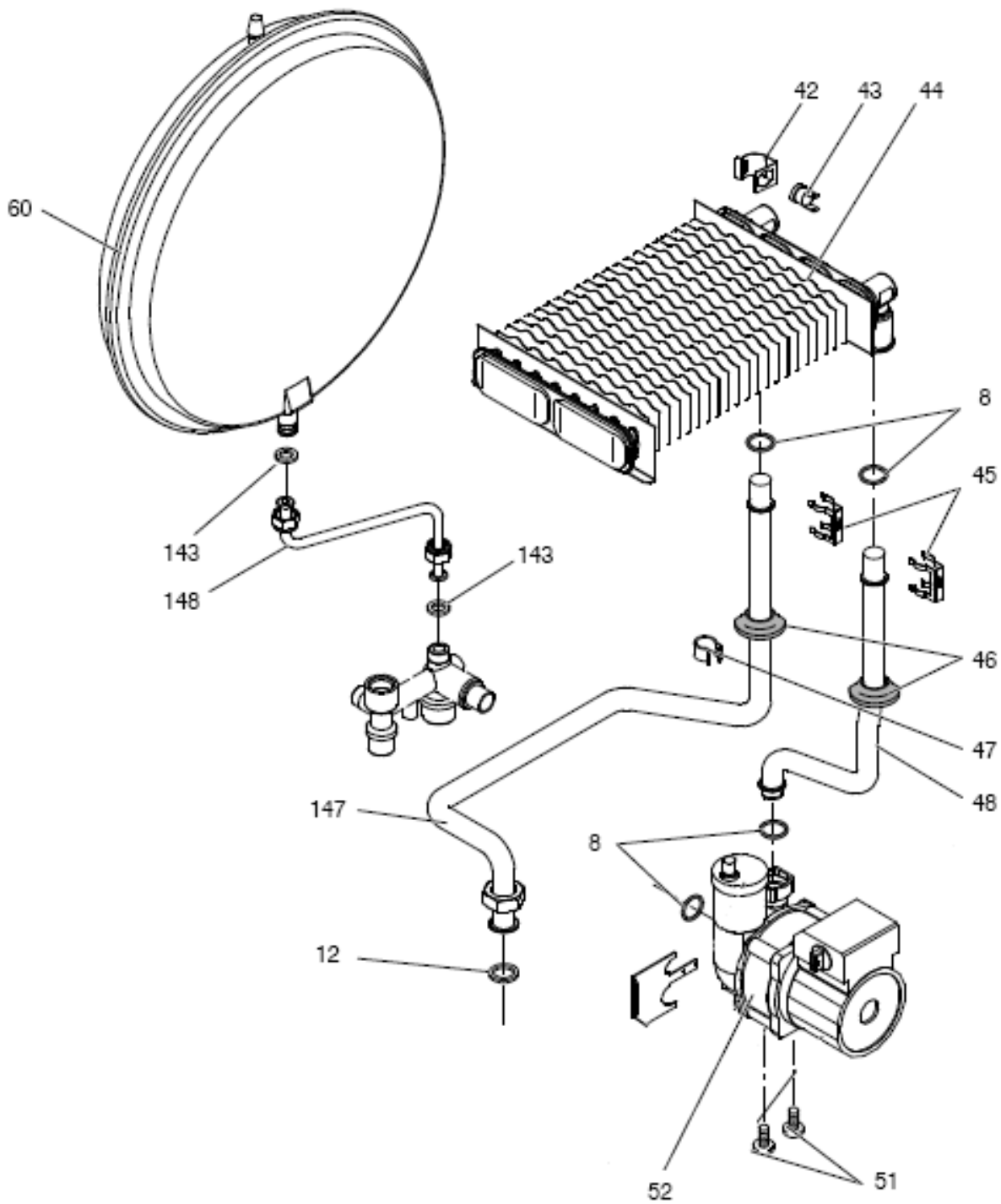
Gas Burner Assembly



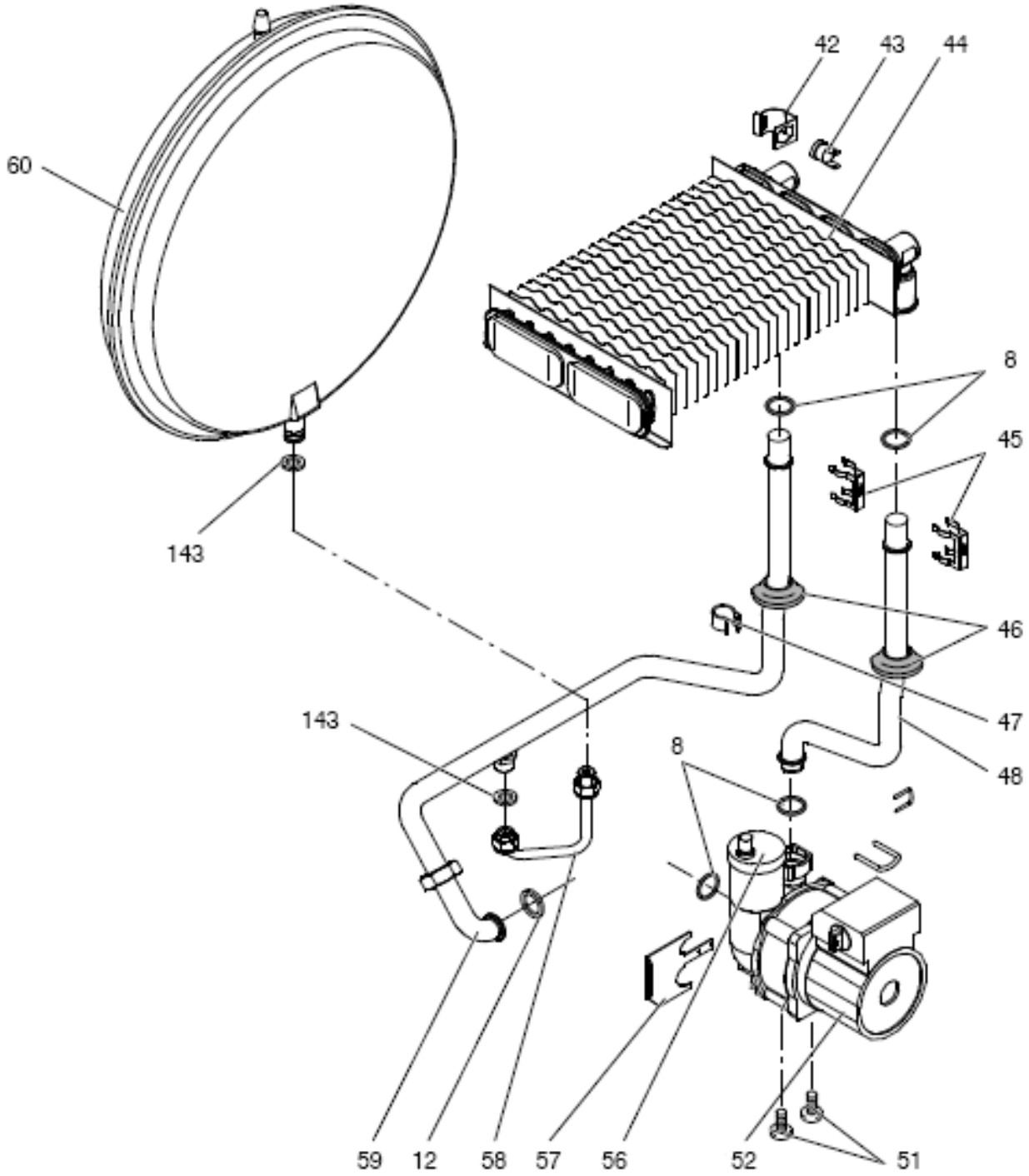
Fan, Combustion Chamber and Jacket



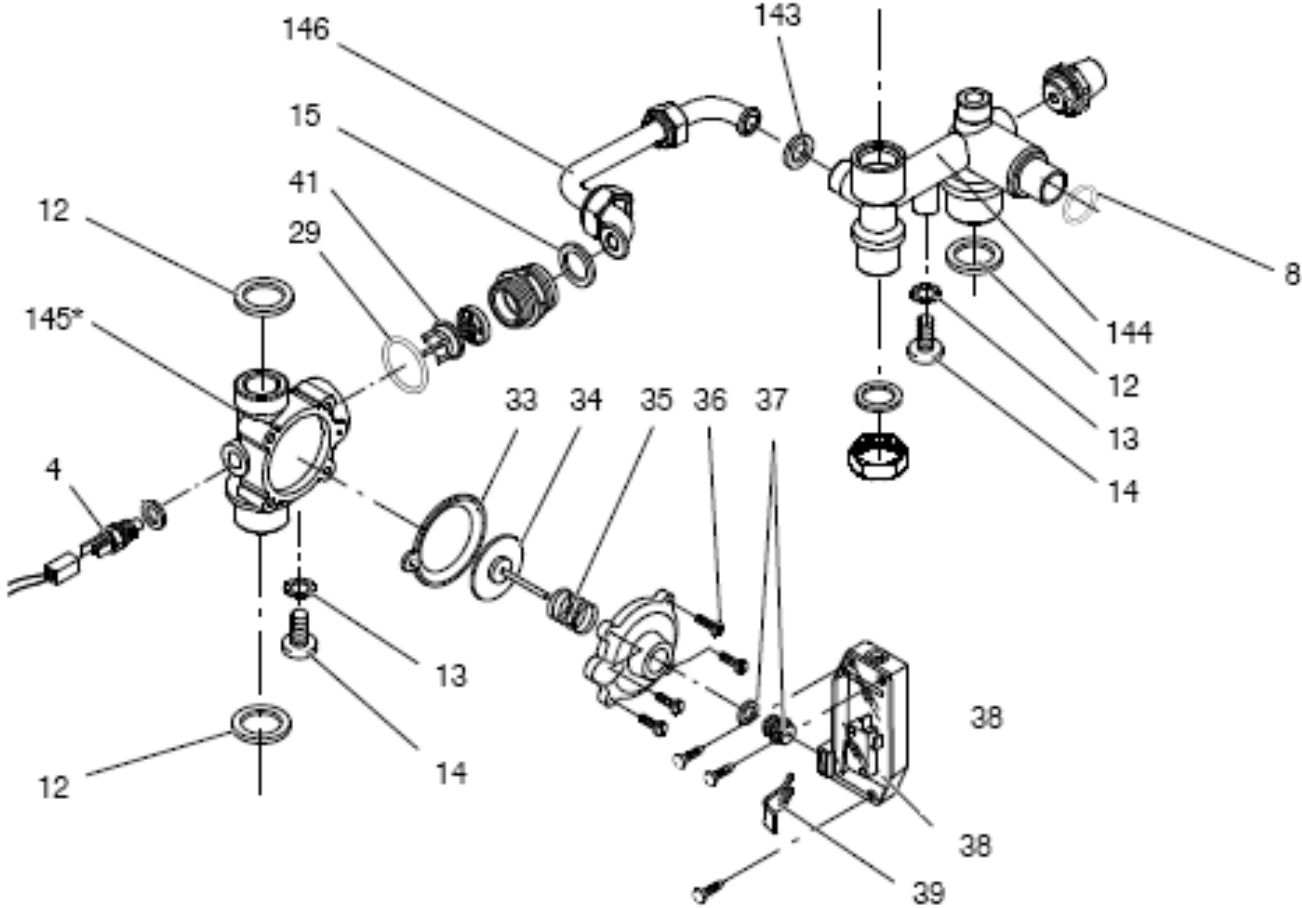
Pump and Heat Exchanger Circuit Heat Only Boiler



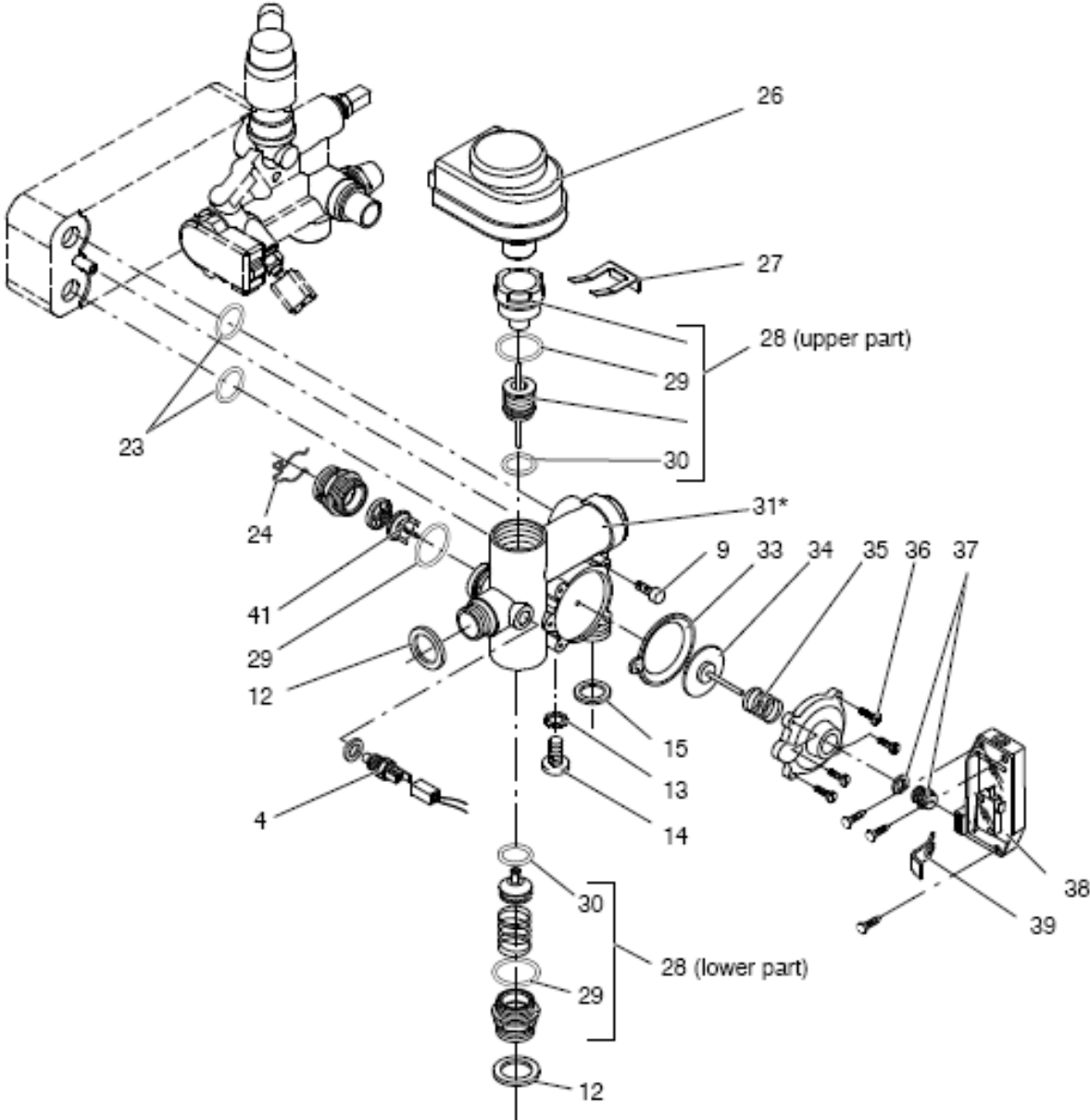
Pump and Heat Exchanger Circuit Combi Boiler



Supply/Return Piping Heat Only Boiler



System Supply Piping Combi Boiler



System Return Piping Combi Boiler

